

A healthcare professional in a blue uniform is seen from the back, operating a mobile medical workstation. The workstation is a white, wheeled unit with a laptop on top, a keyboard, and a mouse. The professional is standing in a clinical setting with blue curtains and a white wall in the background.

medicow

Features &
specifications

Introducing Medicow

MEDICOW from Agile Medical is more than just a 'Computer on Wheels'.

MEDICOW is about:

- 'future proofing' through intelligent investment by providing an adaptive working environment.
- Improving the staff work environment by protecting them from repetitive strain injuries and allowing them to tailor the ergonomics of their work area to suit themselves
- Improving the patient experience by releasing time to care by allowing the staff to work more closely with the patients.

We are constantly amazed at the number of innovative applications our clients are discovering for this exciting product. MEDICOW is a truly versatile tool providing unparalleled benefits deep inside healthcare environments the world over.

However it's not just a pretty face! A quick look below the surface will show great attention to detail and quality with many inconspicuous features incorporated as a result of many many years in healthcare product design.

We trust you prove the benefit of MEDICOW for many years to come.

Christopher Glass
Managing Director



medicow

Features

Durable worktop

Adjustable keyboard shelf

Left or right hand mousemat

Optional locking drawers

360° push handle

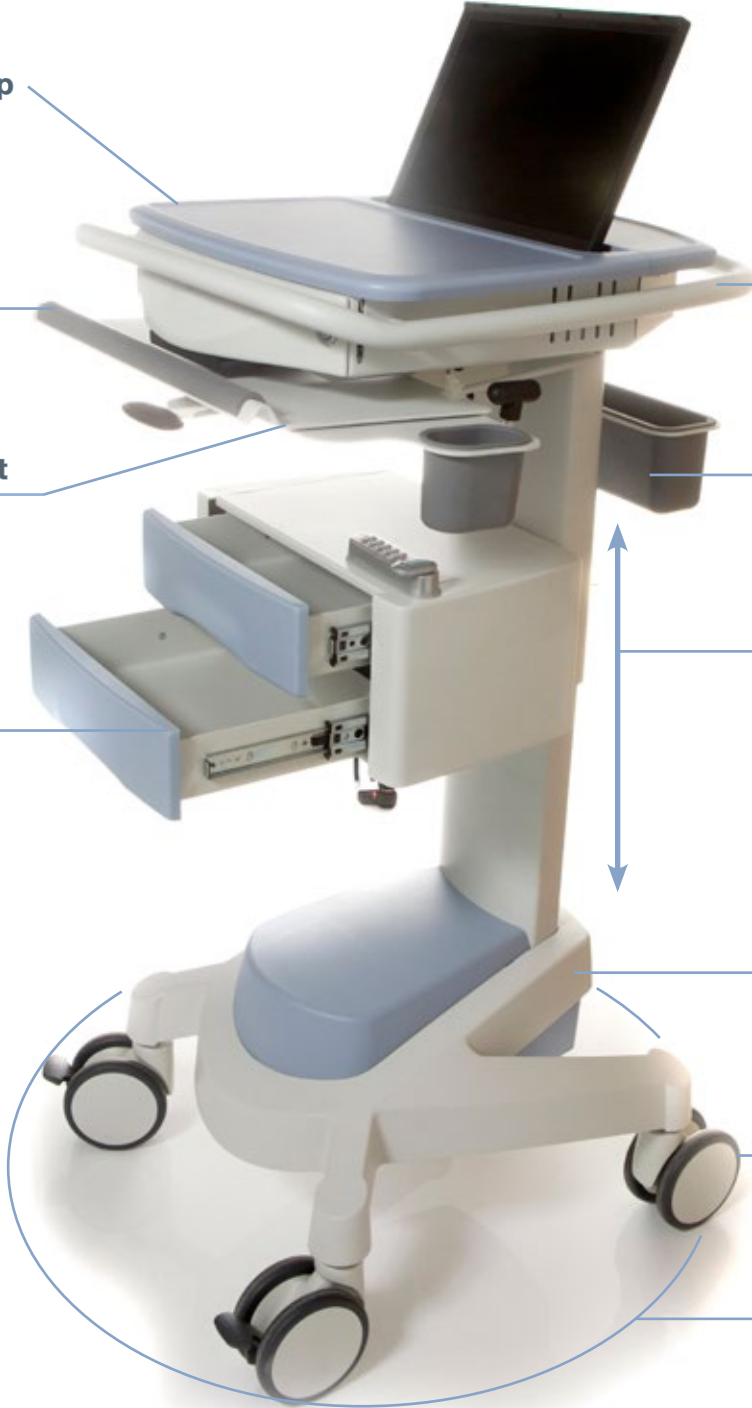
Cable dump

Height adjustment

Diecast 'one piece' base

Steinco medical castors

Small footprint



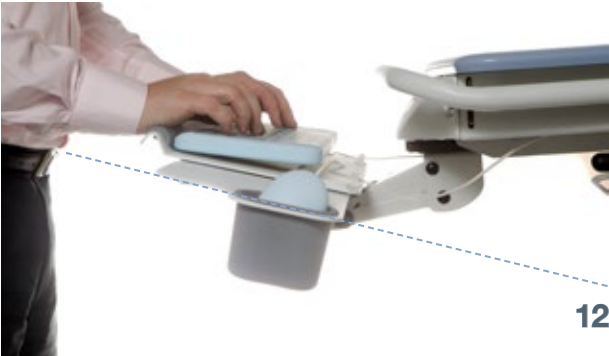
Features

Height adjustment



Features

Adjustable keyboard tray



Unique negative angle feature and wrist support to eliminate wrist fatigue.

Features

Left hand or right hand mousemat



Laptop lock down feature



Features

Adjustable monitor support

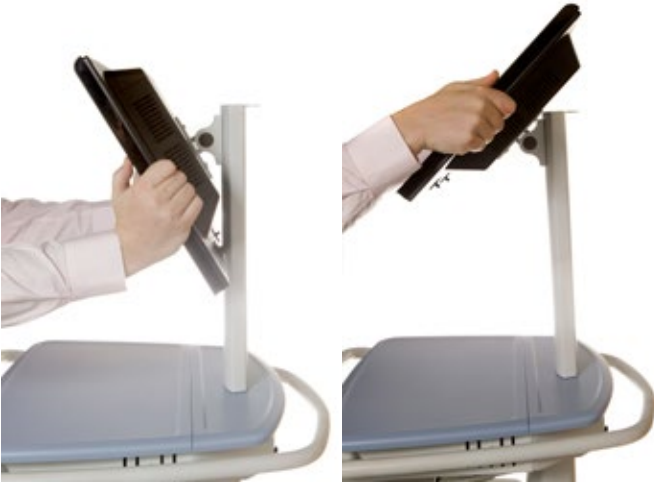
Up/down



Left/right



Tilt



Options

Laptop version

Laptop not included



Without drawers



With drawers

Options

CPU/monitor version

CPU and monitor not included



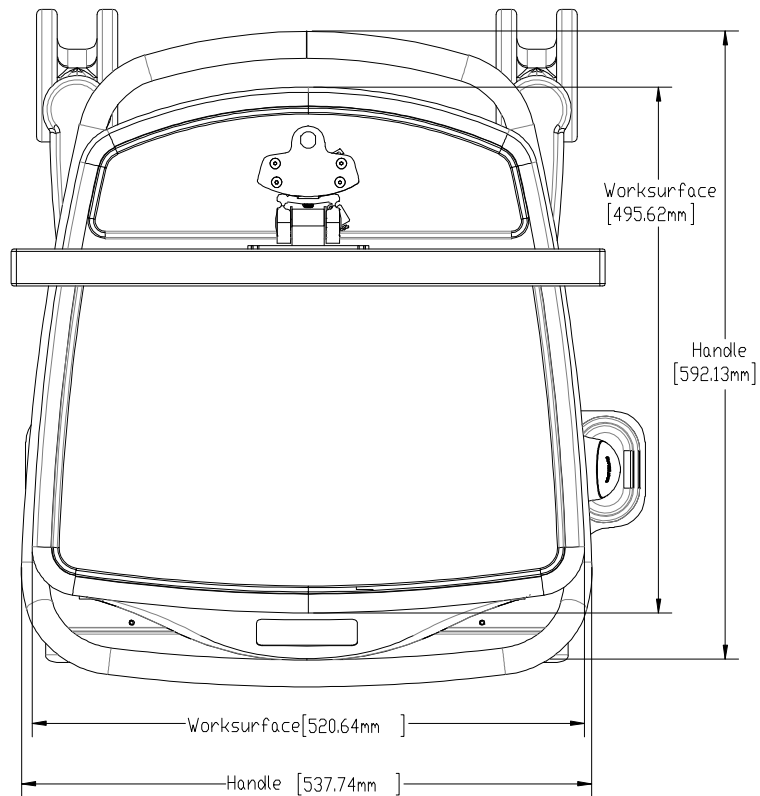
Without drawers



With drawers

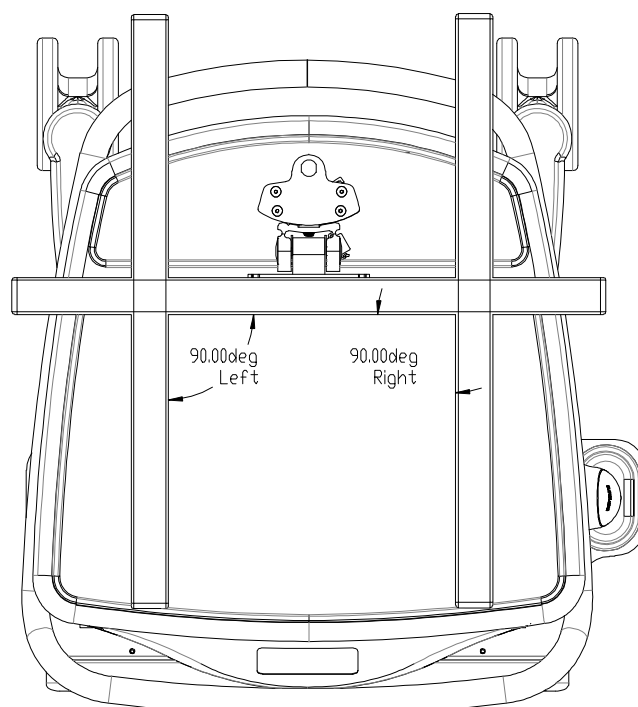
Specifications

Plan



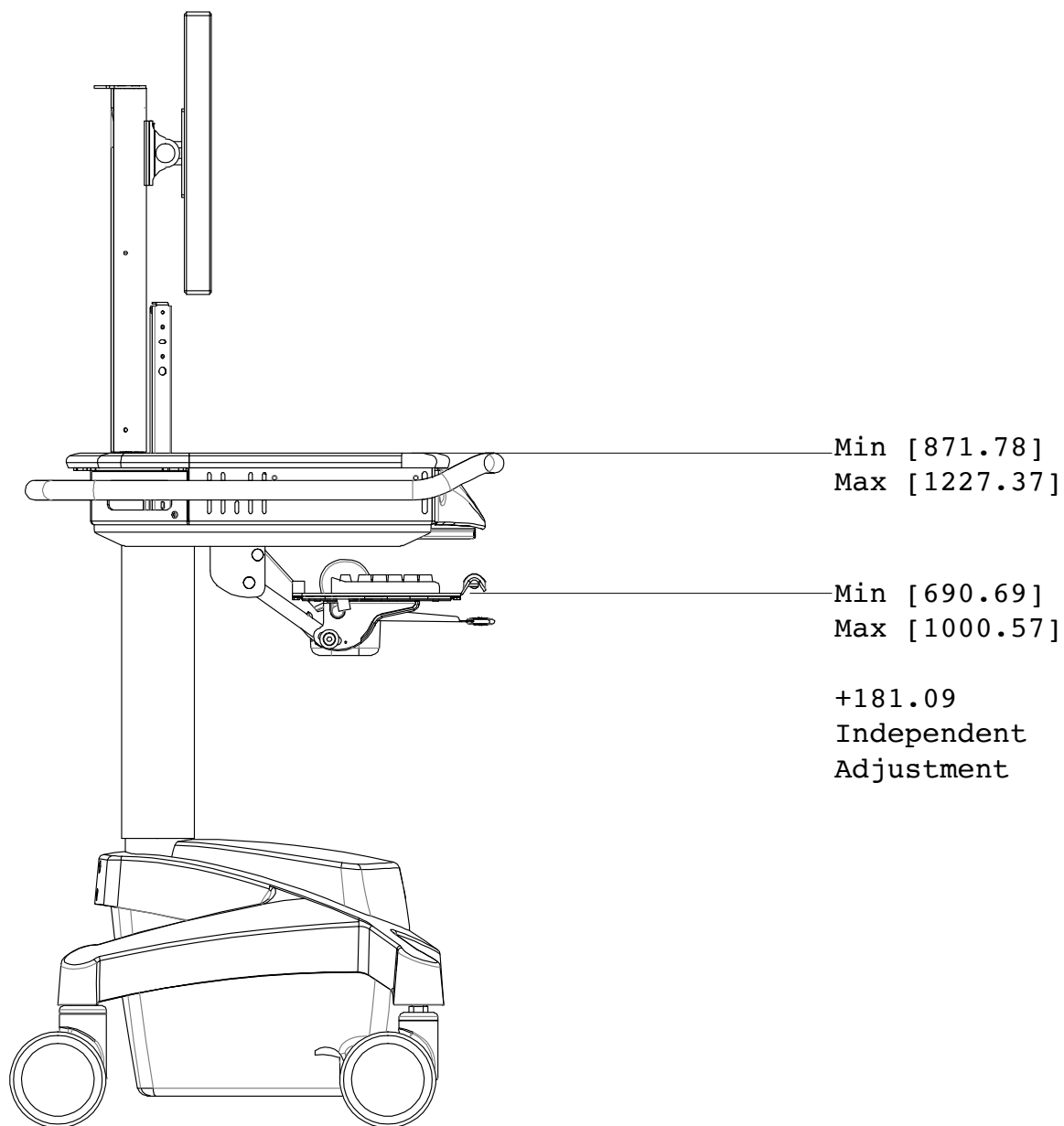
Note: Handle footprint is larger than the wheelbase

Monitor Rotation



Specifications

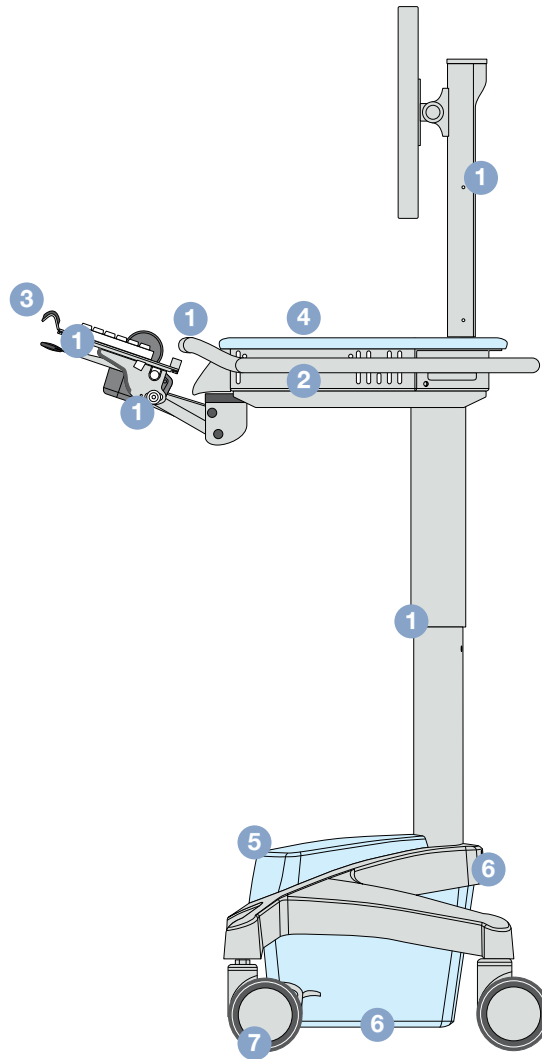
Elevation



Materials & Warranty

Materials

	Material
1	Powder coated mild steel
2	Powder coated aluminium
3	Rubber
4	Thermoplastic wrap
5	Injection moulded plastic (ABS)
6	Die cast zinc powder coated
7	Steinco sealed castors
Fixings general	Stainless steel socket screws



Warranty

- 3 year warranty, ask for further details at sales@agilemedical.co.uk
- 4 year electrical parts warranty

For further details on our warranty please email sales@agilemedical.co.uk